

RAYCHEM

TE Internal #: 509058-000

Twisted Pair Cable, Spec 55, 600VAC Voltage Rating, Silver-Coated High Strength Copper Alloy, 24 AWG Wire Size

[View on TE.com >](#)

Wire & Cable > Twisted Pair Cable

Cable Type: **Spec 55**Voltage Rating: **600 VAC**Wire & Cable Insulation Material: **Modified Radiation Cross-linked ETFE Polymer**Conductor Material: **Silver-Coated High Strength Copper Alloy**Wire Size: **24 AWG**

Features

Product Type Features

Product Classification	Cable - High Performance - Spec 44, 55 and RCW
Product Type	Cable
Cable Style	Primary

Configuration Features

Number of Strands	19
-------------------	----

Electrical Characteristics

Voltage Rating	600 VAC
----------------	---------

Body Features

Wire Color	Blue, Orange, White
Wire & Cable Insulation Material	Modified Radiation Cross-linked ETFE Polymer
Conductor Material	Silver-Coated High Strength Copper Alloy

Dimensions

	.076 in
Wire Diameter	.04 mm[.036 in]
Strand Size	36 AWG
Wire Size	24 AWG

Usage Conditions

Cable Type	Spec 55
Operating Temperature Range	-65 – 200 °C[-85 – 392 °F]

Product Compliance

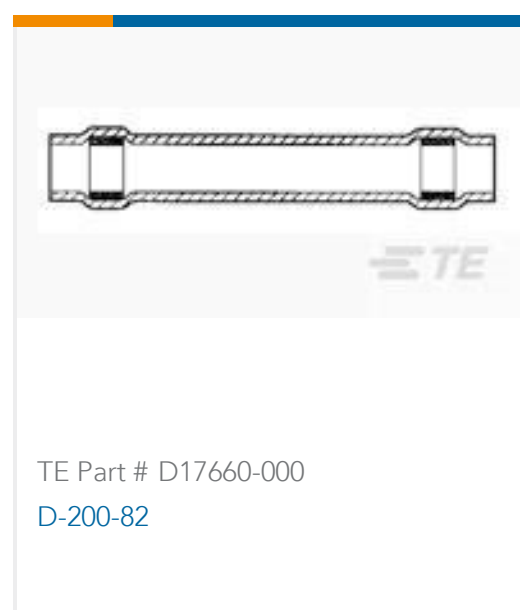
[For compliance documentation, visit the product page on TE.com>](#)

EU RoHS Directive 2011/65/EU	Compliant
EU ELV Directive 2000/53/EC	Compliant
China RoHS 2 Directive MIIT Order No 32, 2016	No Restricted Materials Above Threshold
EU REACH Regulation (EC) No. 1907/2006	Current ECHA Candidate List: JUNE 2022 (224) Candidate List Declared Against: JUNE 2022 (224) Does not contain REACH SVHC
Halogen Content	Out of Scope - excluded from Halogen requirements
Solder Process Capability	Not applicable for solder process capability

Product Compliance Disclaimer

This information is provided based on reasonable inquiry of our suppliers and represents our current actual knowledge based on the information they provided. This information is subject to change. The part numbers that TE has identified as EU RoHS compliant have a maximum concentration of 0.1% by weight in homogenous materials for lead, hexavalent chromium, mercury, PBB, PBDE, DBP, BBP, DEHP, DIBP, and 0.01% for cadmium, or qualify for an exemption to these limits as defined in the Annexes of Directive 2011/65/EU (RoHS2). Finished electrical and electronic equipment products will be CE marked as required by Directive 2011/65/EU. Components may not be CE marked. Additionally, the part numbers that TE has identified as EU ELV compliant have a maximum concentration of 0.1% by weight in homogenous materials for lead, hexavalent chromium, and mercury, and 0.01% for cadmium, or qualify for an exemption to these limits as defined in the Annexes of Directive 2000/53/EC (ELV). Regarding the REACH Regulation, the information TE provides on SVHC in articles for this part number is based on the latest European Chemicals Agency (ECHA) 'Guidance on requirements for substances in articles' posted at this URL: <https://echa.europa.eu/guidance-documents/guidance-on-reach>

Compatible Parts



Documents



Product Drawings

[55PC0134-24-3/6/9](#)

English

Datasheets & Catalog Pages

[1654025_Sec9_SPEC55](#)

English

[Raychem Wire and Cable Quick Reference Guide](#)

English

Product Specifications

[Product Specification](#)

English